



T&S BRASS AND BRONZE WORKS, INC.

2 Saddleback Cove / P.O. Box 1088
Travelers Rest, SC 29690

Model No.

EU-6DP00

Item No.

Travelers Rest, SC: 800-476-4103 • Simi Valley, CA: 800-423-0150 • Fax: 864-834-3518 • www.tsbrass.com

EPAct 2005 Non-Compliant

This Space for Architect/Engineer Approval

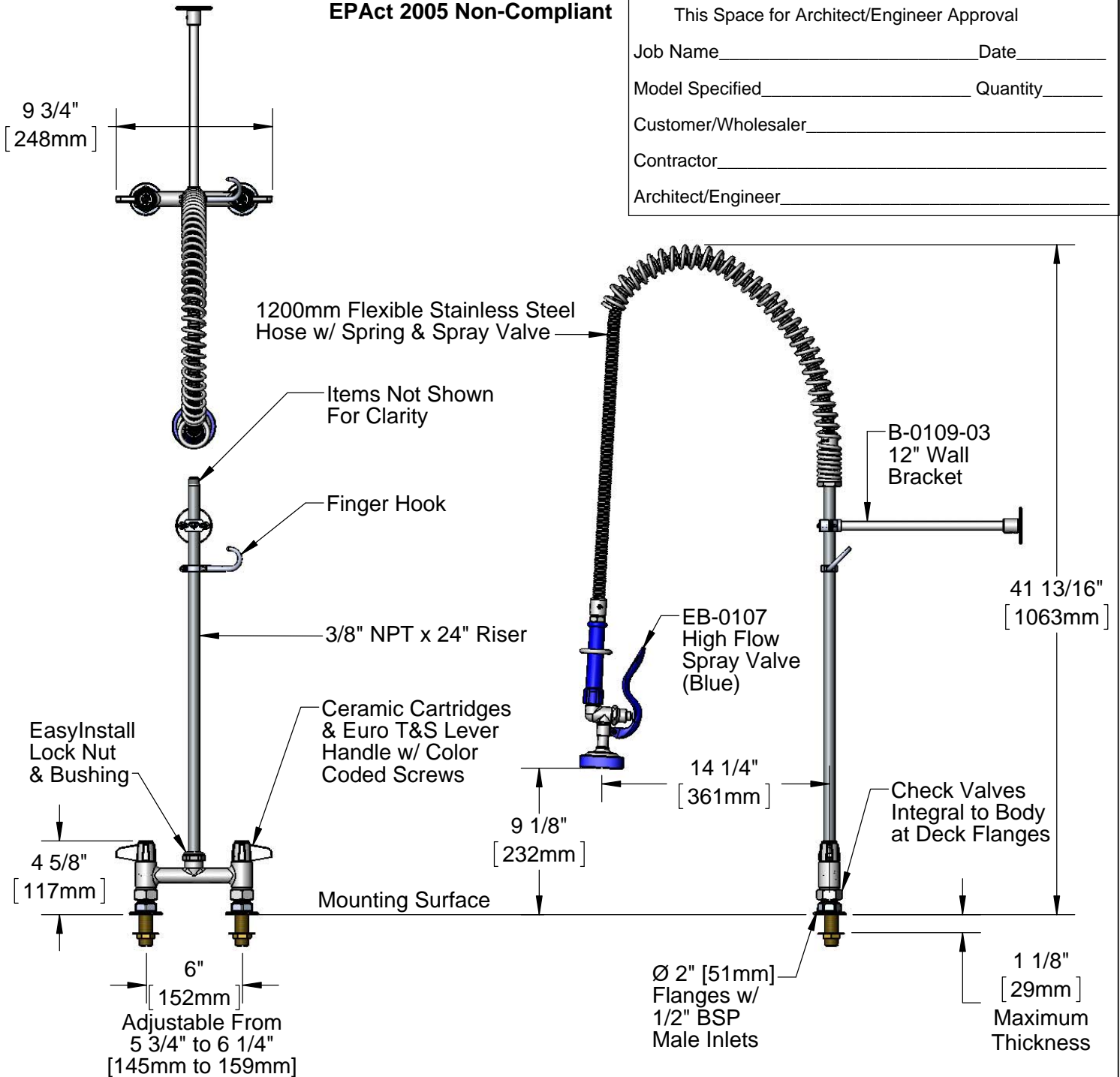
Job Name _____ Date _____

Model Specified _____ Quantity _____

Customer/Wholesaler _____

Contractor _____

Architect/Engineer _____



Rough-In Requirement:
(2) Ø 1" [25mm] Mounting Holes

Product Specifications:
Pre-Rinse Unit: 6" Deck Mount Mixing Faucet, Ceramic Cartridges, Euro Lever Handles, 1200mm Flexible Stainless Steel Hose, High Flow Spray Valve (Blue), 12" Wall Bracket, Internal Check Valves & 1/2" BSP Male Inlets

Drawn DHL	Checked JRM	Approved JHB
Scale: 1:9		Date: 07/01/13

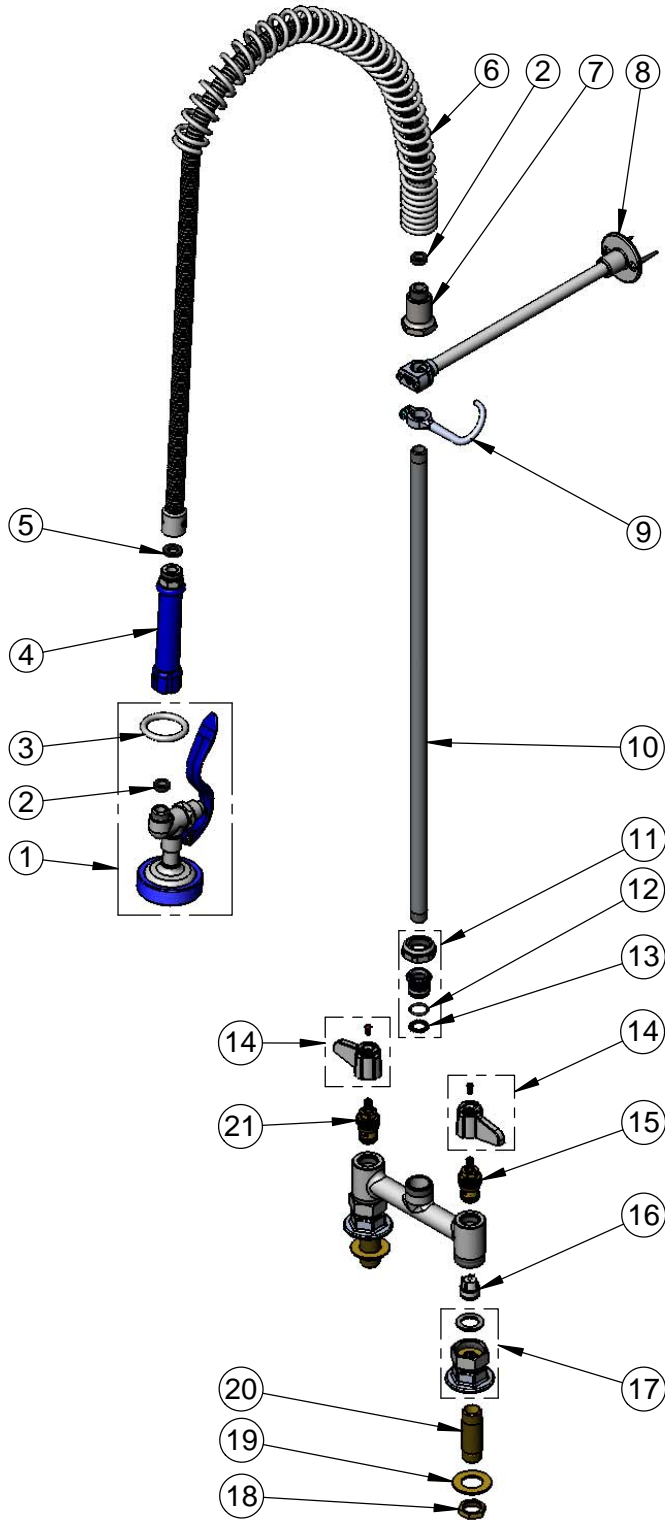


T&S BRASS AND BRONZE WORKS, INC.
 2 Saddleback Cove / P.O. Box 1088
 Travelers Rest, SC 29690

Model No.
EU-6DP00

Item No.

Travelers Rest, SC: 800-476-4103 • Simi Valley, CA: 800-423-0150 • Fax: 864-834-3518 • www.tsbrass.com



ITEM NO.	SALES NO.	DESCRIPTION
1	EB-0107	High Flow Spray Valve (Blue)
2	010476-45	#27 Washer
3	000907-45	Spray Valve Hold Down Ring
4	011482-40	Grip Handle (Blue)
5	001014-45	Washer, B-0100 Hose Barrel
6	000888-45	EasyInstall Overhead Spring
7	000821-40	Spring Body
8	B-0109-03	12" Wall Bracket
9	004R	Finger Hook
10	000372-40	3/8" NPT x 24" Riser
11	EU-EZ-K	Euro EasyInstall Kit
12	001062-45	O-Ring
13	014200-45	Star Washer, Anti-Rotation
14	E-HDL-L	Euro Lever Handle w/ (2) Color Coded Screws
15	013788-45	Ceramic Cartridge, LTC (Blue)
16	013840-45	20mm Check Valve (2)
17	006848-40	1/2" BSP Female Eccentric Flange
18	002954-45	Shank Lock Nut
19	000999-45	Brass Lock Washer
20	002814-45	Shank
21	013787-45	Ceramic Cartridge, RTC (Red)

Product Specifications:

Pre-Rinse Unit: 6" Deck Mount Mixing Faucet, Ceramic Cartridges, Euro Lever Handles, 1200mm Flexible Stainless Steel Hose, High Flow Spray Valve (Blue), 12" Wall Bracket, Internal Check Valves & 1/2" BSP Male Inlets

Drawn DHL	Checked JRM	Approved JHB
Scale: NTS		Date: 07/01/13