



T&S BRASS AND BRONZE WORKS, INC.
 2 Saddleback Cove / P.O. Box 1088
 Travelers Rest, SC 29690

Model No.
EU-2DP12

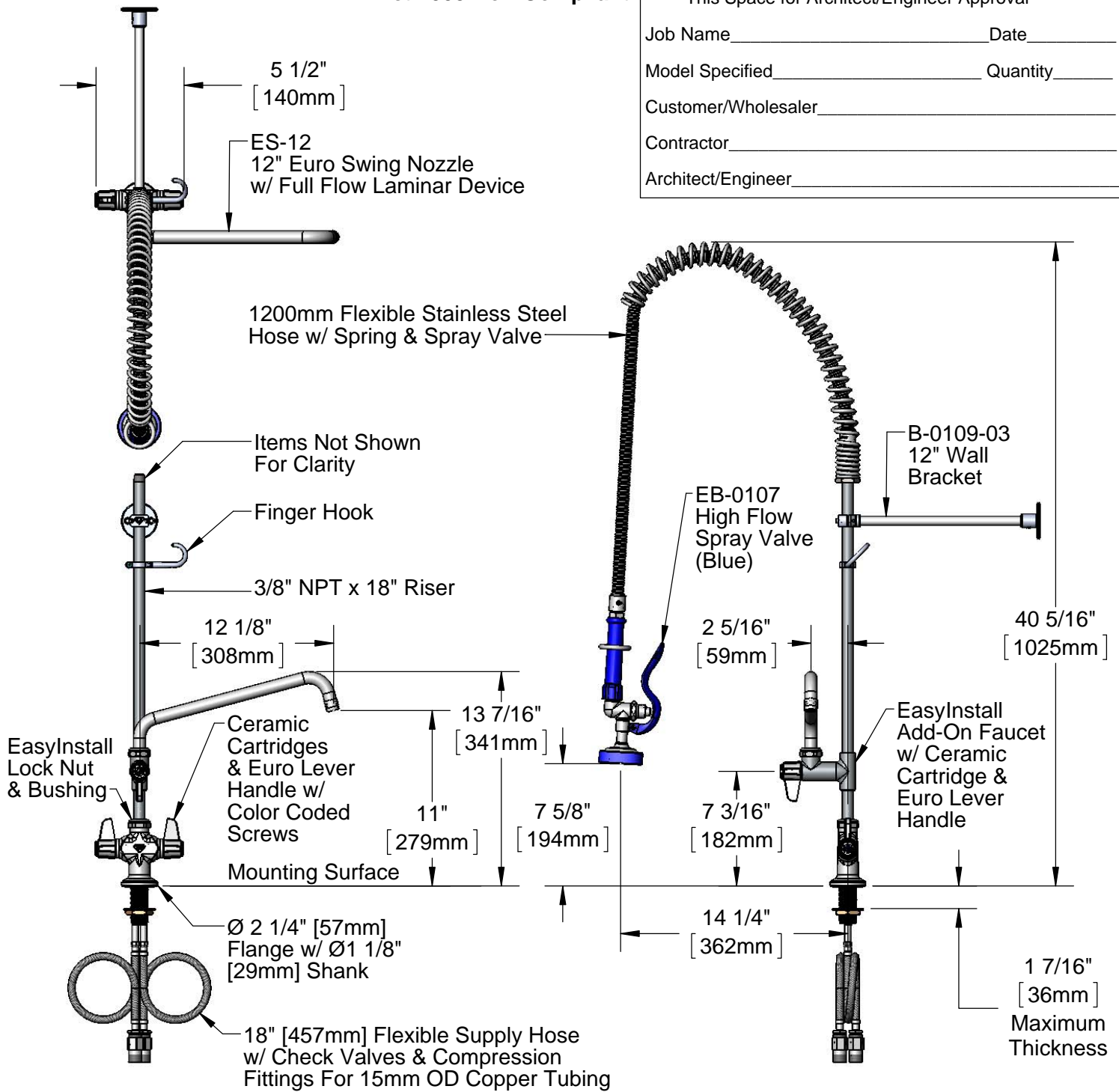
Item No.

Travelers Rest, SC: 800-476-4103 • Simi Valley, CA: 800-423-0150 • Fax: 864-834-3518 • www.tsbrass.com

EPAct 2005 Non-Compliant

This Space for Architect/Engineer Approval

Job Name _____ Date _____
 Model Specified _____ Quantity _____
 Customer/Wholesaler _____
 Contractor _____
 Architect/Engineer _____



Rough-In Requirement:
 Ø 1 1/2" [38mm] Mounting Hole

Product Specifications:
 Pre-Rinse Unit: Dual Temperature, Single Hole Deck Mount Faucet, Ceramic Cartridges, Euro Lever Handles, Add-On Faucet w/ 12" Swing Nozzle, 1200mm Flexible Stainless Steel Hose, High Flow Spray Valve (Blue), 12" Wall Bracket & 18" Inlet Flexible Hoses w/ Check Valves

Drawn DHL	Checked DMH	Approved JHB
Scale: 1:9		Date: 07/03/13



T&S BRASS AND BRONZE WORKS, INC.

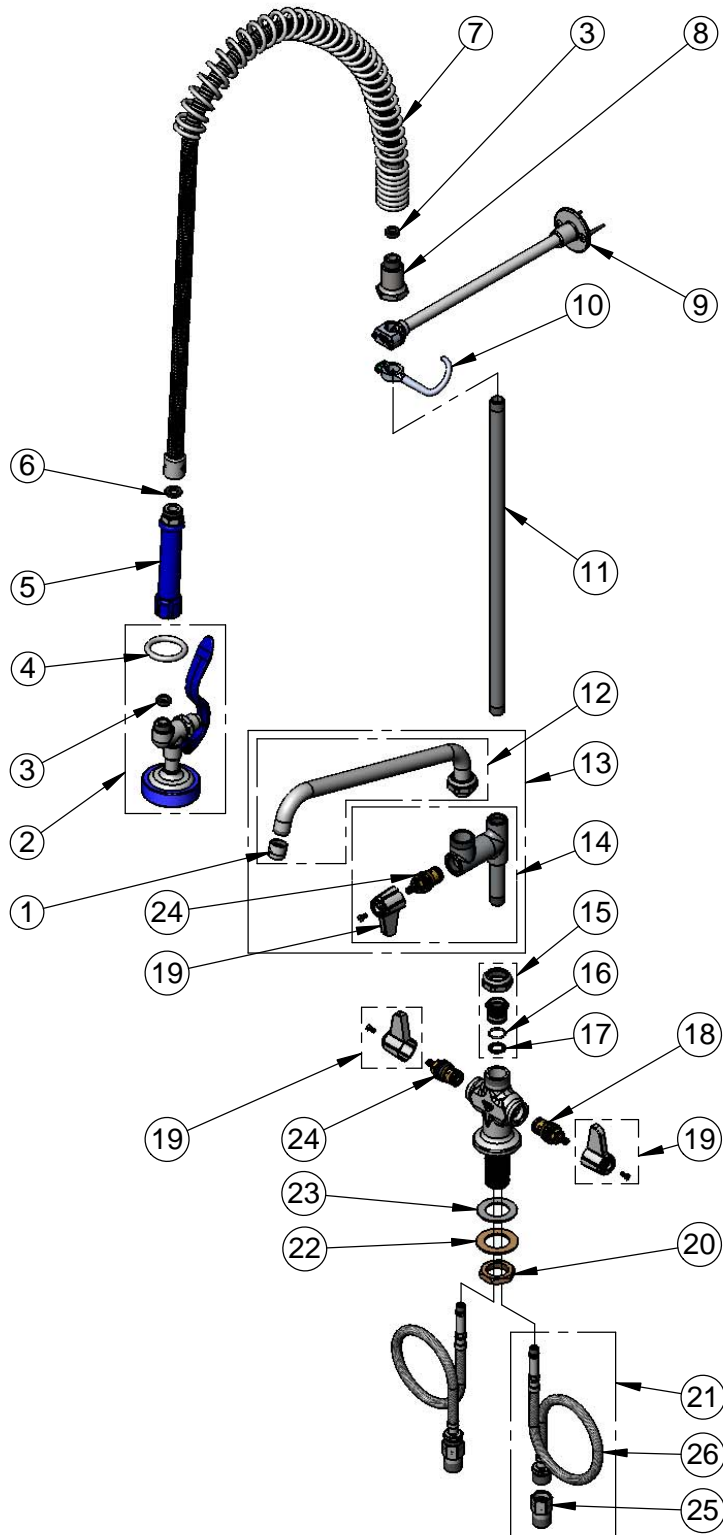
2 Saddleback Cove / P.O. Box 1088
Travelers Rest, SC 29690

Model No.

EU-2DP12

Item No.

Travelers Rest, SC: 800-476-4103 • Simi Valley, CA: 800-423-0150 • Fax: 864-834-3518 • www.tsbrass.com



ITEM NO.	SALES NO.	DESCRIPTION
1	014250-45	3/4-27 Full Flow Laminar Device
2	EB-0107	High Flow Spray Valve (Blue)
3	010476-45	#27 Washer
4	000907-45	Spray Valve Hold Down Ring
5	011482-40	Grip Handle (Blue)
6	001014-45	Washer, B-0100 Hose Barrel
7	000888-45	EasyInstall Overhead Spring
8	000821-40	Spring Body
9	B-0109-03	12" Wall Bracket
10	004R	Finger Hook
11	000369-40	3/8" NPT x 18" Riser
12	ES-12	12" Euro Swing Nozzle w/ Full Flow Laminar Device
13	EU-AF12	Add-On Faucet w/ Ceramic Cartridge, 12" Euro Swing Nozzle & Euro Lever Handle
14	EU-AF-00	Euro Add-On Faucet, Less Nozzle
15	EU-EZ-K	Euro EasyInstall Kit
16	001062-45	O-Ring
17	014200-45	Star Washer, Anti-Rotation
18	013788-45	Ceramic Cartridge, LTC (Blue)
19	E-HDL-L	Euro Lever Handle w/ (2) Color Coded Screws
20	000965-45	Lock Nut
21	016068-25	Euro 15mm Flexible Supply Hose w/ Check Valve
22	002290-45	Lock Washer
23	014612-45	Deck Seal
24	013787-45	Ceramic Cartridge, RTC (Red)
25	016047-25	15mm Check Valve w/ Housing
26	012436-45	Euro 15mm Flexible Supply Hose

Product Specifications:

Pre-Rinse Unit: Dual Temperature, Single Hole Deck Mount Faucet, Ceramic Cartridges, Euro Lever Handles, Add-On Faucet w/ 12" Swing Nozzle, 1200mm Flexible Stainless Steel Hose, High Flow Spray Valve (Blue), 12" Wall Bracket & 18" Inlet Flexible Hoses w/ Check Valves

Drawn

DHL

Checked

DMH

Approved

JHB

Scale:

NTS

Date:

07/03/13