



T&S BRASS AND BRONZE WORKS, INC.
 2 Saddleback Cove / P.O. Box 1088
 Travelers Rest, SC 29690

Model No.
EU-1DP12

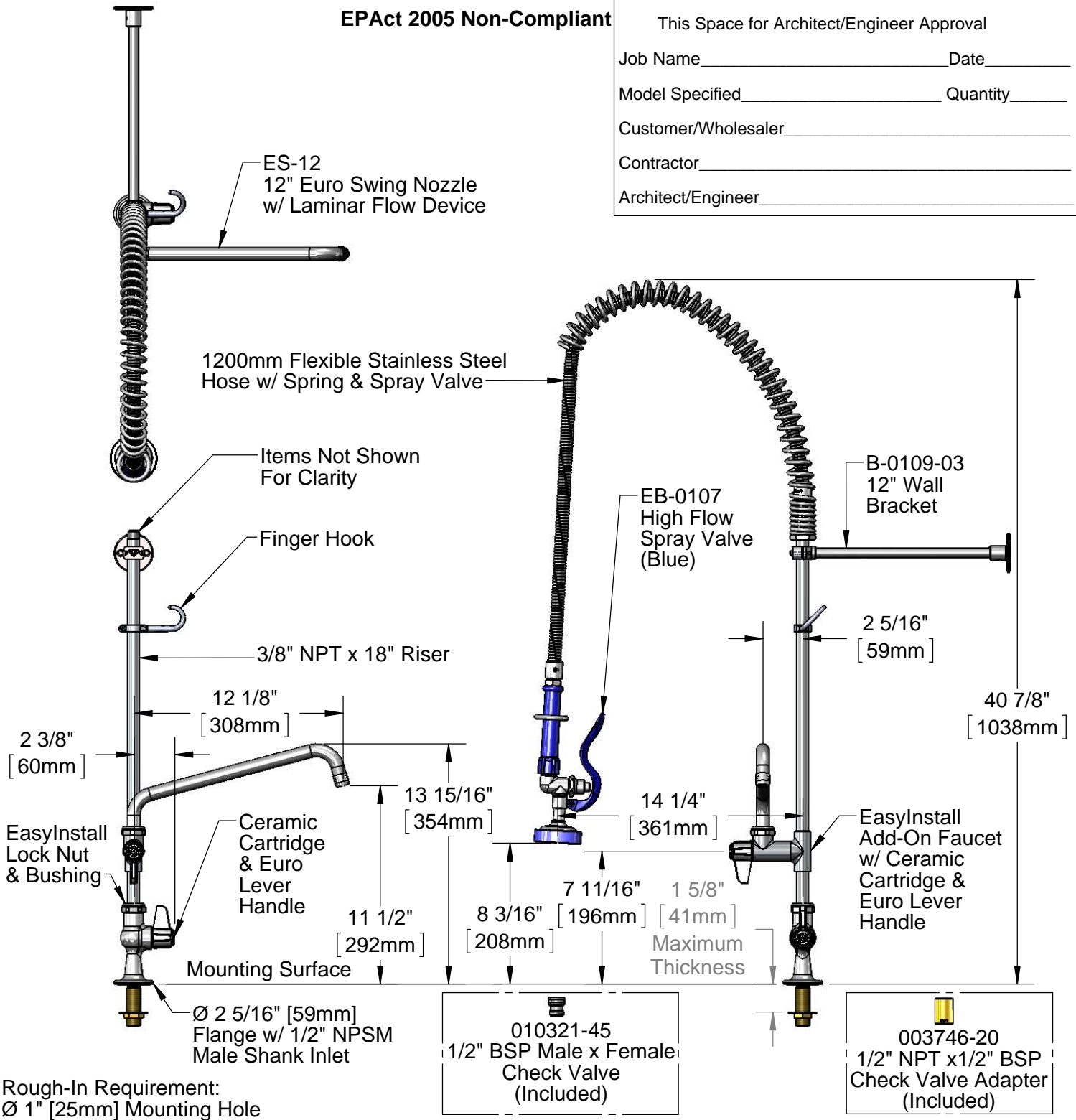
Item No.

Travelers Rest, SC: 800-476-4103 • Simi Valley, CA: 800-423-0150 • Fax: 864-834-3518 • www.tsbrass.com

EPAct 2005 Non-Compliant

This Space for Architect/Engineer Approval

Job Name _____ Date _____
 Model Specified _____ Quantity _____
 Customer/Wholesaler _____
 Contractor _____
 Architect/Engineer _____



Rough-In Requirement:
 Ø 1" [25mm] Mounting Hole

Product Specifications:

Pre-Rinse Unit: Single Temperature, Single Hole Deck Mount Faucet, Ceramic Cartridges, Euro Lever Handles, Add-On Faucet w/ 12" Swing Nozzle, 1200mm Flexible Stainless Steel Hose, High Flow Spray Valve (Blue), 12" Wall Bracket & 1/2" NPSM Shank Inlet w/ BSP Adapter & Check Valve

Drawn DHL	Checked JRM	Approved JHB
Scale: 1:8	Date: 08/06/13	

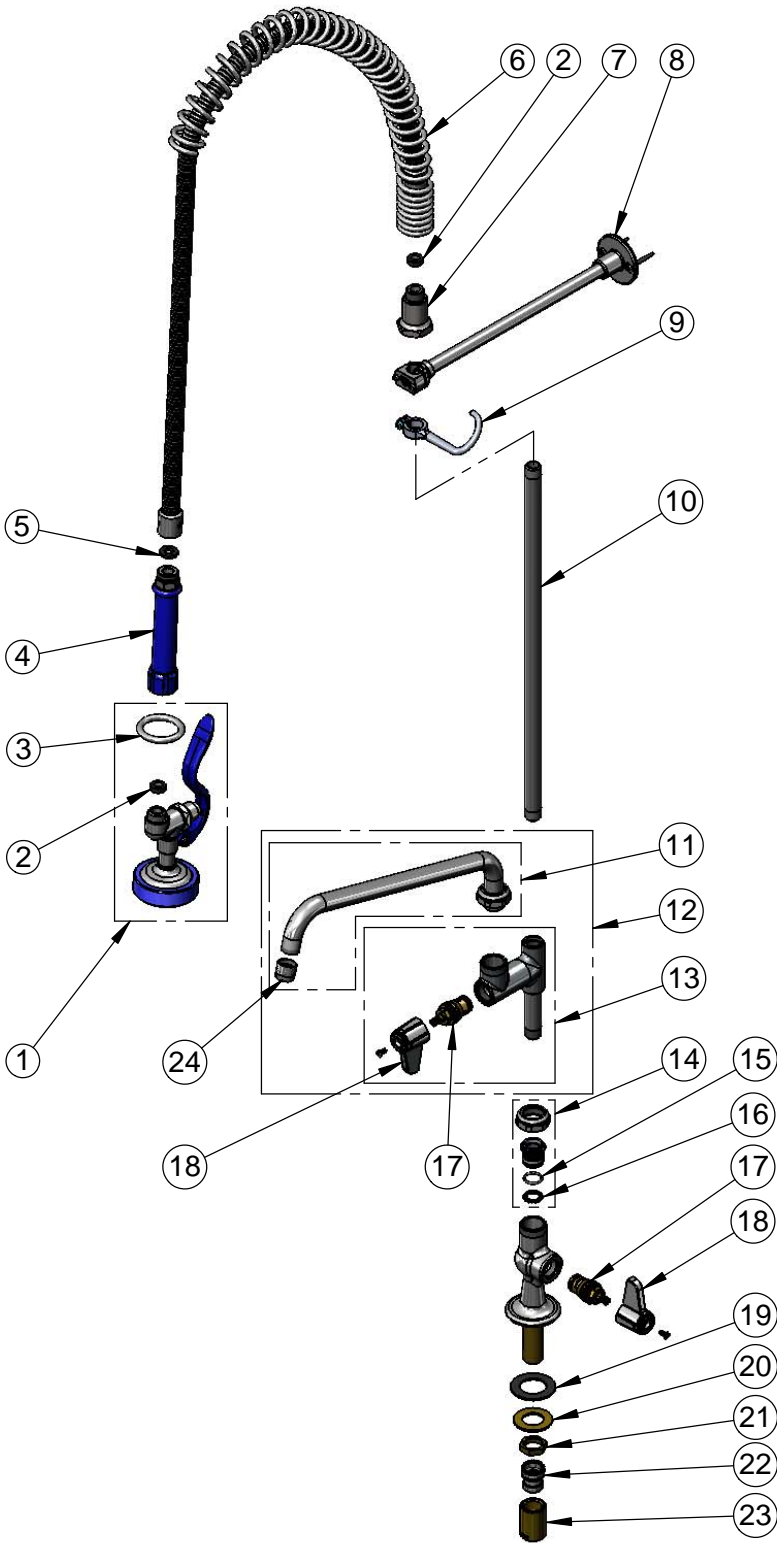


T&S BRASS AND BRONZE WORKS, INC.
 2 Saddleback Cove / P.O. Box 1088
 Travelers Rest, SC 29690

Model No.
EU-1DP12

Item No.

Travelers Rest, SC: 800-476-4103 • Simi Valley, CA: 800-423-0150 • Fax: 864-834-3518 • www.tsbrass.com



ITEM NO.	SALES NO.	DESCRIPTION
1	EB-0107	High Flow Spray Valve (Blue)
2	010476-45	#27 Washer
3	000907-45	Spray Valve Hold Down Ring
4	011482-40	Grip Handle (Blue)
5	001014-45	Washer, B-0100 Hose Barrel
6	000888-45	EasyInstall Overhead Spring
7	000821-40	Spring Body
8	B-0109-03	12" Wall Bracket
9	004R	Finger Hook
10	000369-40	3/8" NPT x 18" Riser
11	ES-12	12" Euro Swing Nozzle w/ Laminar Flow Device
12	EU-AF12	Add-On Faucet w/ Ceramic Cartridge, 12" Euro Swing Nozzle & Euro Lever Handle
13	EU-AF00	Euro Add-On Faucet, Less Nozzle
14	EU-EZ-K	Euro EasyInstall Kit
15	001062-45	O-Ring
16	014200-45	Star Washer, Anti-Rotation
17	013787-45	Ceramic Cartridge, RTC (Red)
18	E-HDL-L	Euro Lever Handle w/ (2) Color Coded Screws
19	014612-45	Deck Seal
20	000999-45	Brass Lock Washer
21	002954-45	Shank Lock Nut
22	010321-45	Check Valve Assembly
23	003746-20	Adapter, 1/2" NPSM x 1/2" BSP
24	014250-45	3/4-27 Full Flow Laminar Device

Product Specifications:

Pre-Rinse Unit: Single Temperature, Single Hole Deck Mount Faucet, Ceramic Cartridges, Euro Lever Handles, Add-On Faucet w/ 12" Swing Nozzle, 1200mm Flexible Stainless Steel Hose, High Flow Spray Valve (Blue), 12" Wall Bracket & 1/2" NPSM Shank Inlet w/ BSP Adapter & Check Valve

Drawn DHL	Checked JRM	Approved JHB
Scale: NTS		Date: 08/06/13