



T&S BRASS AND BRONZE WORKS, INC.

2 Saddleback Cove / P.O. Box 1088
Travelers Rest, SC 29690

Model No.

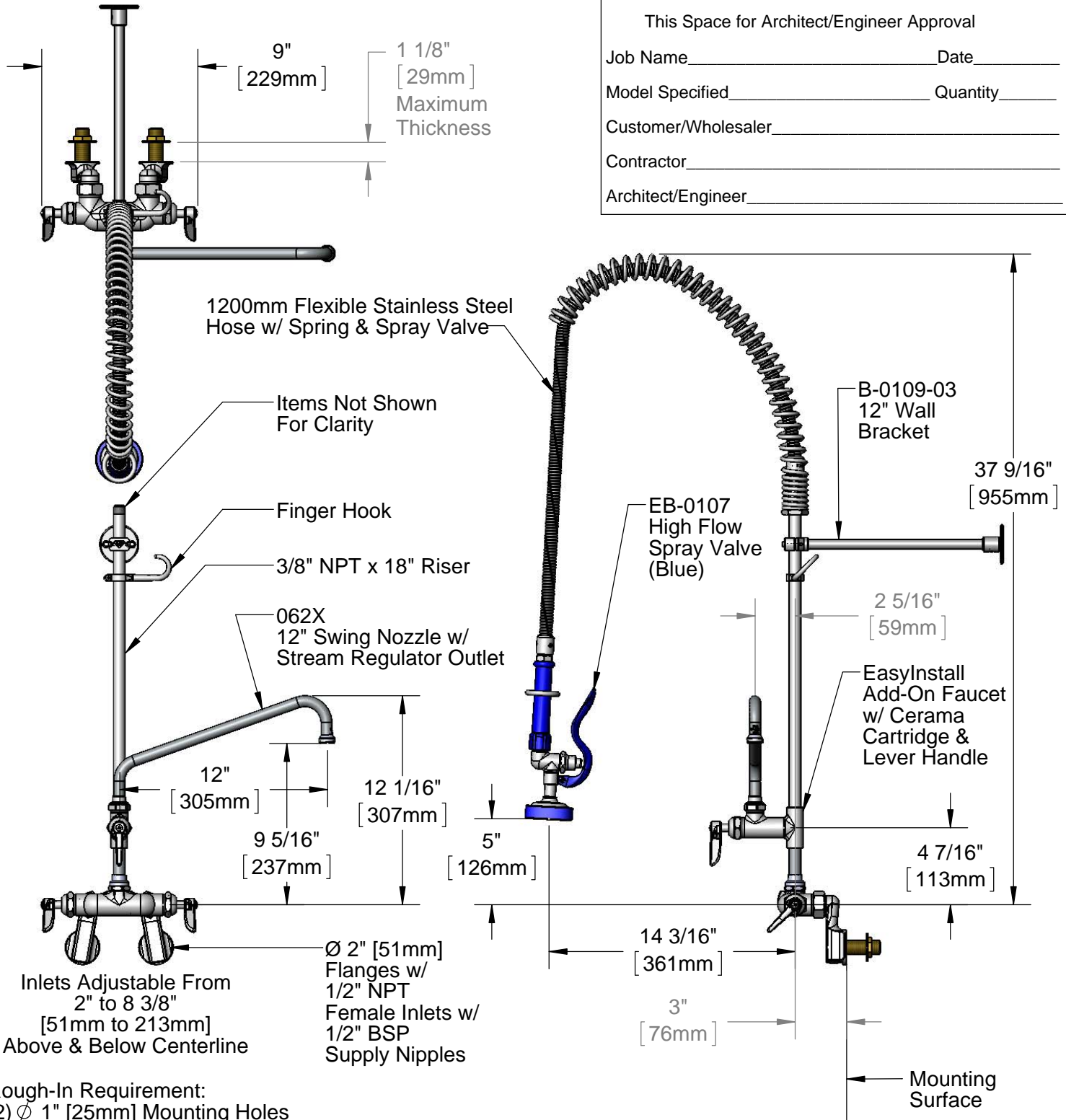
EB-2261-04

Item No.

Travelers Rest, SC: 800-476-4103 • Simi Valley, CA: 800-423-0150 • Fax: 864-834-3518 • www.tsbrass.com

This Space for Architect/Engineer Approval

Job Name _____ Date _____
 Model Specified _____ Quantity _____
 Customer/Wholesaler _____
 Contractor _____
 Architect/Engineer _____



Rough-In Requirement:
(2) Ø 1" [25mm] Mounting Holes

Product Specifications:

Pre-Rinse Unit: Wall Mount Mixing Faucet, Cerama Cartridges w/ Check Valves, Lever Handles, 1200mm Flexible Stainless Steel Hose, High Flow Spray Valve (Blue), Add-On Faucet w/ Cerama Cartridge & Lever Handle, 12" Swing Nozzle, 12" Wall Bracket & 1/2" NPT Female Adjustable Flanges w/ 1/2" BSP Male Supply Kit

Product Compliance:

ASME A112.18.1 / CSA B125.1
 NSF 61 - Section 9
 NSF 372 (Low Lead Content)
 EPA 2005 Non-Compliant (PRSV)



T&S BRASS AND BRONZE WORKS, INC.

2 Saddleback Cove / P.O. Box 1088
Travelers Rest, SC 29690

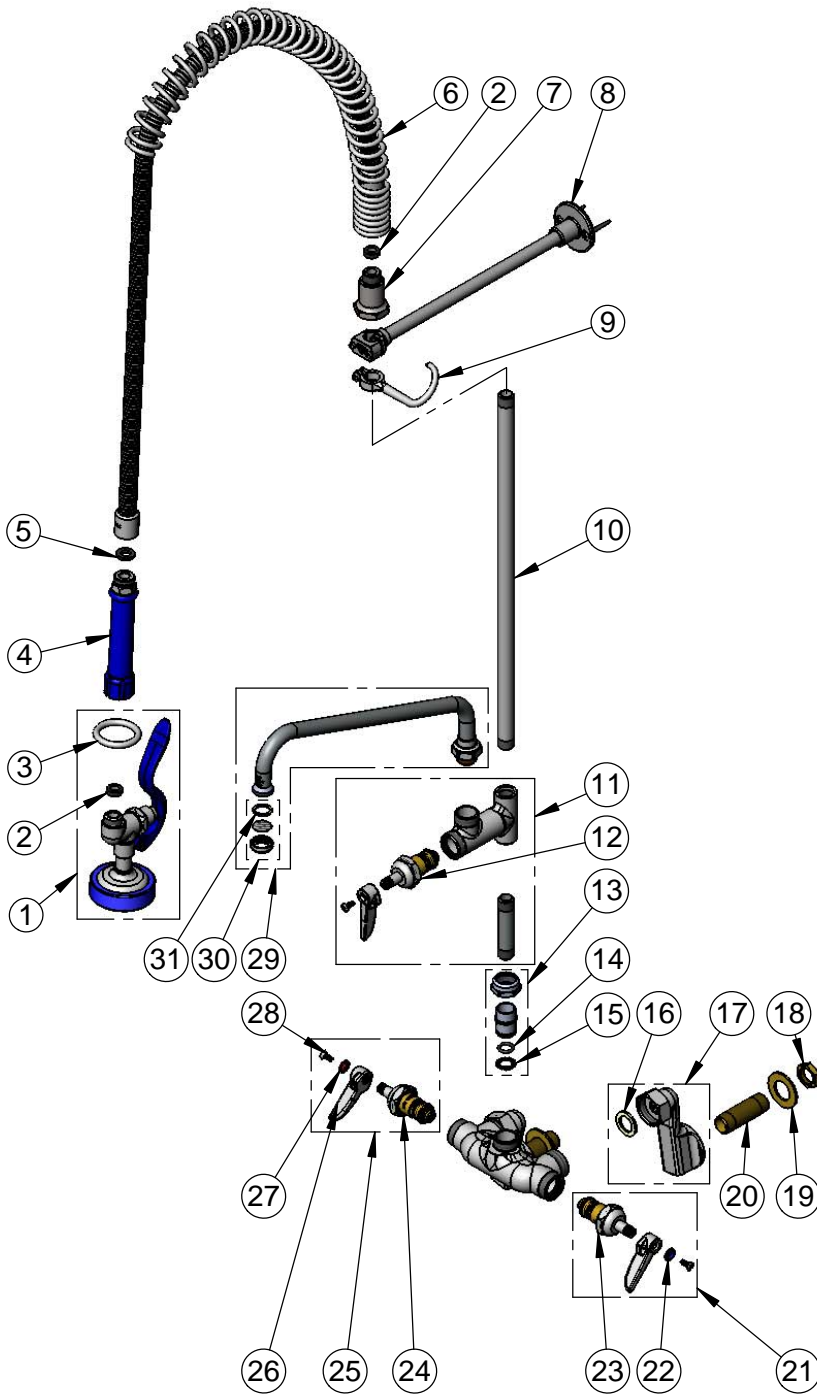
Model No.

EB-2261-04

Item No.

Travelers Rest, SC: 800-476-4103 • Simi Valley, CA: 800-423-0150 • Fax: 864-834-3518 • www.tsbrass.com

ITEM NO.	SALES NO.	DESCRIPTION
1	EB-0107	High Flow Spray Valve (Blue)
2	010476-45	#27 Washer
3	000907-45	Spray Valve Hold Down Ring
4	011482-40	Grip Handle (Blue)
5	001014-45	Washer, B-0100 Hose Barrel
6	000888-45	EasyInstall Overhead Spring
7	000821-40	Spring Body
8	B-0109-03	12" Wall Bracket
9	004R	Finger Hook
10	000369-40	3/8" NPT x 18" Riser
11	B-0155-CR-LN	Add-On Faucet w/ Cerama Cartridge & Lever Handle, Less Nozzle
12	011278-25	Cerama Cartridge, RTC
13	EZ-K	EasyInstall Kit: Nut, Bushing, O-ring & Lock Washer
14	001065-45	O-Ring
15	014200-45	Star Washer, Anti-Rotation
16	001019-45	Coupling Nut Washer
17	00GG	1/2" NPT Female Adjustable Flange
18	002954-45	Shank Lock Nut
19	000999-45	Brass Lock Washer
20	002814-45	Shank
21	012447-25	Cerama Cartridge, LTC w/ Check Valve, Handle, Index & Screw
22	001660-45	Blue Index-CW
23	012395-25	Cerama Cartridge, LTC w/ Check Valve
24	012394-25	Cerama Cartridge, RTC w/ Check Valve
25	012446-25	Cerama Cartridge, RTC w/ Check Valve, Handle, Index & Screw
26	001638-45	Lever Handle
27	001661-45	Red Index-HW
28	000922-45	Lever Handle Screw
29	062X	12" Swing Nozzle
30	B-PT	Stream Regulator Outlet
31	001048-45	Nozzle Tip Washer



Product Specifications:

Pre-Rinse Unit: Wall Mount Mixing Faucet, Cerama Cartridges w/ Check Valves, Lever Handles, 1200mm Flexible Stainless Steel Hose, High Flow Spray Valve (Blue), Add-On Faucet w/ Cerama Cartridge & Lever Handle, 12" Swing Nozzle, 12" Wall Bracket & 1/2" NPT Female Adjustable Flanges w/ 1/2" BSP Male Supply Kit

Product Compliance:

ASME A112.18.1 / CSA B125.1
NSF 61 - Section 9
NSF 372 (Low Lead Content)
EPA 2005 Non-Compliant (PRSV)