



T&S BRASS AND BRONZE WORKS, INC.

2 Saddleback Cove / P.O. Box 1088
Travelers Rest, SC 29690

Model No.

EA-6WF08-LH

Item No.

Travelers Rest, SC: 800-476-4103 • Simi Valley, CA: 800-423-0150 • Fax: 864-834-3518 • www.tsbrass.com

This Space for Architect/Engineer Approval

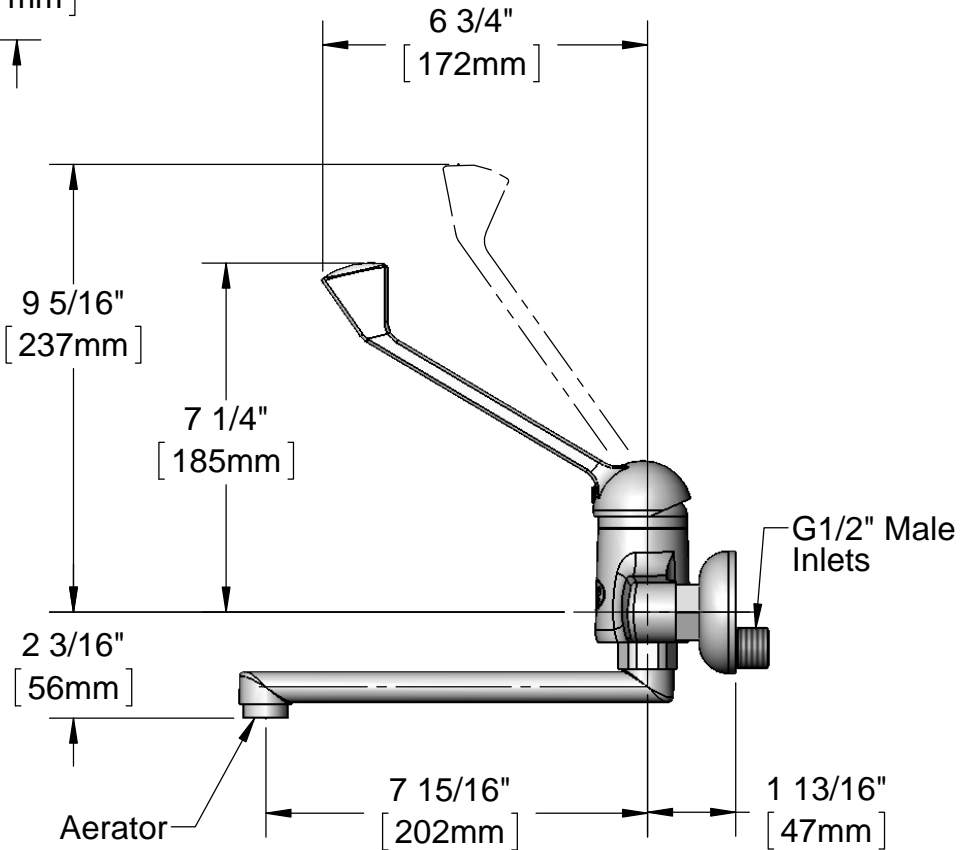
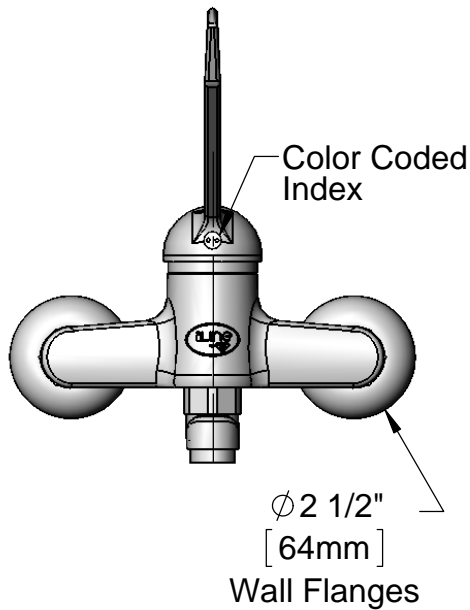
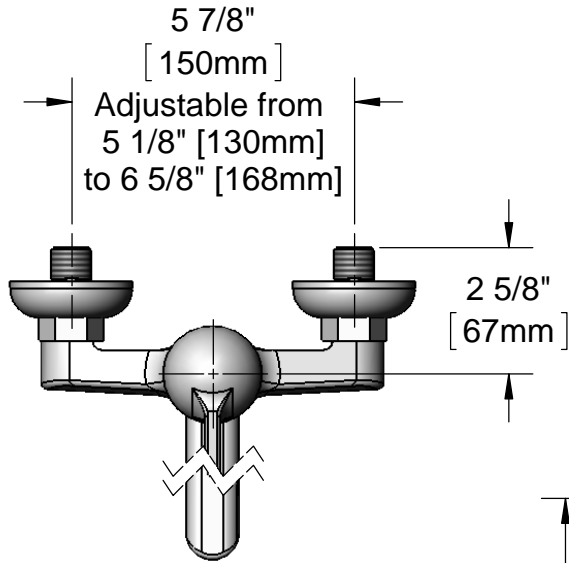
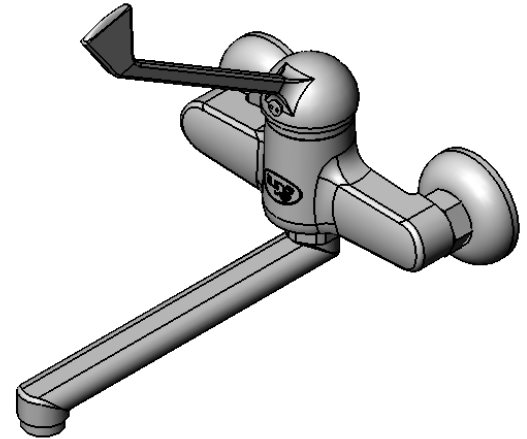
Job Name _____ Date _____

Model Specified _____ Quantity _____

Customer/Wholesaler _____

Contractor _____

Architect/Engineer _____



Product Specifications:
Single Lever Wall Mount Submarine Faucet
w/ 8" Swing Spout and Long Handle

Drawn DMH	Checked GEF	Approved JHB
---------------------	-----------------------	------------------------

Scale: 1:4	Date: 9/26/11
----------------------	-------------------------