



T&S BRASS AND BRONZE WORKS, INC.

2 Saddleback Cove / P.O. Box 1088
Travelers Rest, SC 29690

Model No.

EA-6DF08-LH-200

Item No.

Travelers Rest, SC: 800-476-4103 • Simi Valley, CA: 800-423-0150 • Fax: 864-834-3518 • www.tsbrass.com

This Space for Architect/Engineer Approval

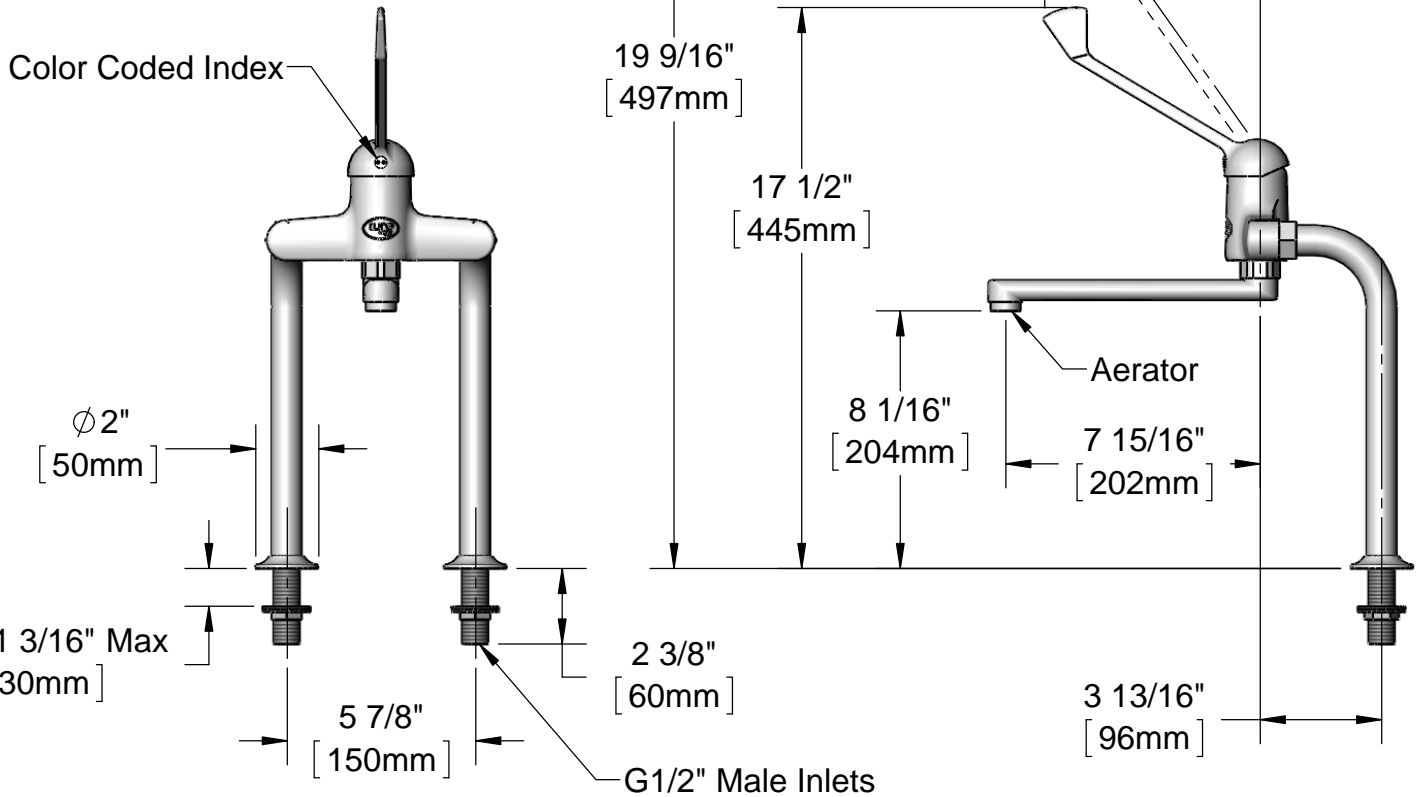
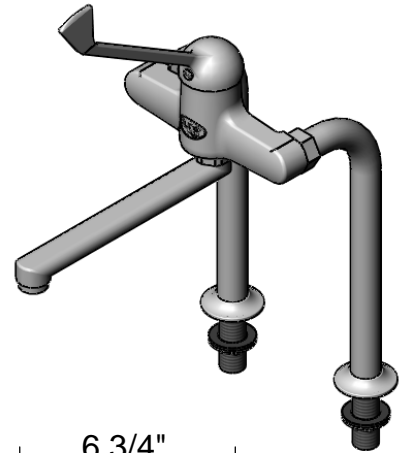
Job Name _____ Date _____

Model Specified _____ Quantity _____

Customer/Wholesaler _____

Contractor _____

Architect/Engineer _____



Product Specifications:
Single Lever Deck Mount Submarine Faucet
w/ 8" Swing Spout, Long Handle &
200mm Clearance Risers

Drawn

DMH

Checked

GEF

Approved

JHB

Scale:

1:6

Date:

9/26/11