



# T&S BRASS AND BRONZE WORKS, INC.

2 Saddleback Cove / P.O. Box 1088  
Travelers Rest, SC 29690



REG. #A2601  
ISO #9001

Model No.

**EA-2DF12-600**

Item No.

Travelers Rest, SC: 800-476-4103 • Simi Valley, CA: 800-423-0150 • Fax: 864-834-3518 • www.tsbrass.com

This Space for Architect/Engineer Approval

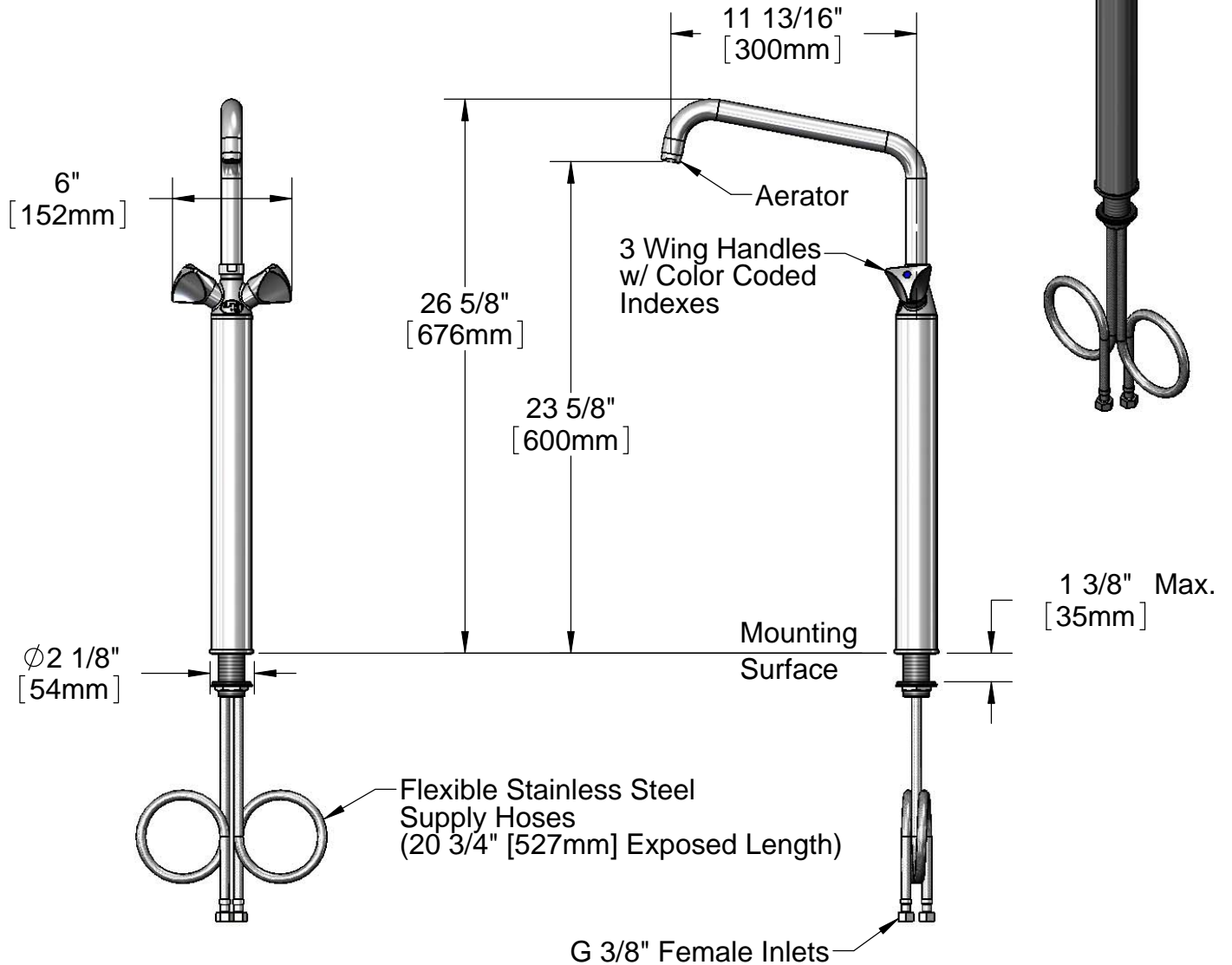
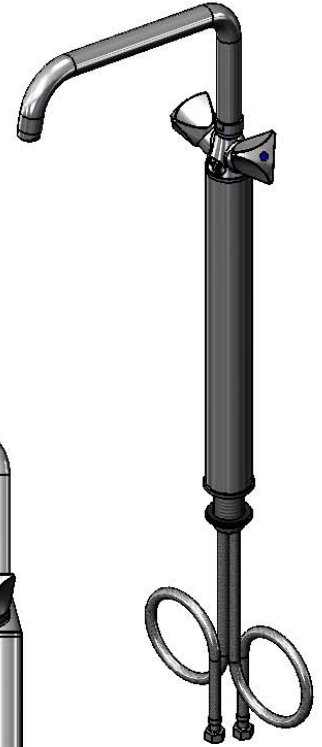
Job Name \_\_\_\_\_ Date \_\_\_\_\_

Model Specified \_\_\_\_\_ Quantity \_\_\_\_\_

Customer/Wholesaler \_\_\_\_\_

Contractor \_\_\_\_\_

Architect/Engineer \_\_\_\_\_



**Rough-In Requirement:**  
 $\phi 1 \frac{1}{2}$ " [38mm] Hole

Product Specifications:  
Two Handle Deck Mount Pot Filler Faucet w/ 12" Swing Nozzle & 600mm Clearance

Drawn

**DMH**

Checked

**KJG**

Approved

**JHB**

Scale:

**1:8**

Date:

**03/23/11**