



ADA Compliant

This Space for Architect/Engineer Approval

Job Name _____ Date _____

Model Specified _____ Quantity _____

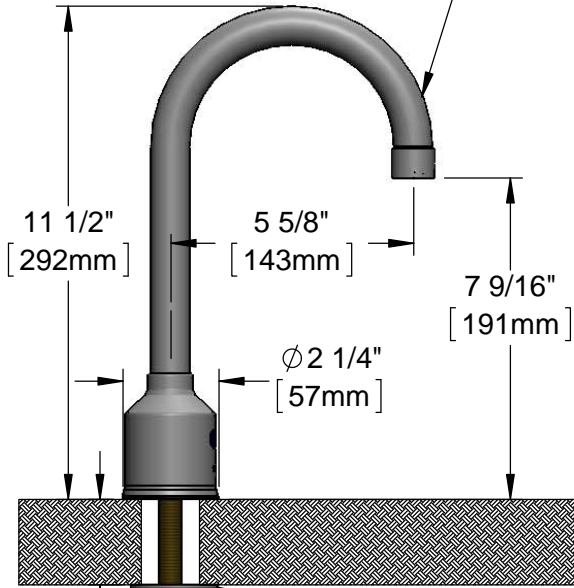
Customer/Wholesaler _____

Contractor _____

Architect/Engineer _____



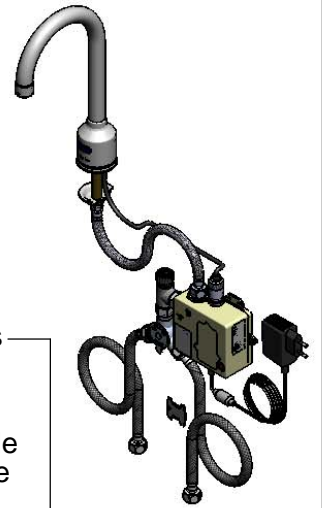
Rigid Gooseneck w/ 2.2 GPM [8.3 LPM] Vandal Resistant Aerator & Key



5EF-0004
24" [610mm]
Sensor Cable

5EF-0001
3 5/8" x 4 3/16" x 2"
[92mm x 106mm x 51mm]
Deep Control Module Box
(White) w/ Water Resistant
Connections. AC or DC
Operated w/ (4) AA Batteries

016297-45
Furnished w/ 1/4" NPSM
Female x 1/2" NPSM Female
x 18" [457mm] Long Flexible
Stainless Steel Hose



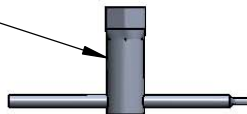
Brass Lockwasher
& Locknut

2"
[51mm]
Maximum
Thickness

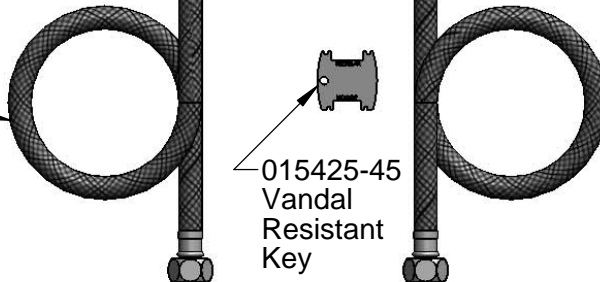
5EF-FILTER
Removable Strainer

5EF-0006
Mechanical Mixing Valve
w/ Integral Check Valves

Socket Wrench



016167-45
(2) 16" [406mm] Flex Supply Hoses:
1/2" NPSM Female Both Ends



015425-45
Vandal
Resistant
Key

5EF-0011
EU Transformer
84" [2134mm] Long
Power Cord w/
100-240 VAC
Adapter (Remove
Rubber Plug in
Module to Connect)

Note: Rough-In requirement
Ø 1" [25mm] Mounting Hole

Model Number 5EF-EU1DG-C	Date 02/29/12	Scale 1:4	Drawn GEF	Checked DMH	Approved JHB
-----------------------------	------------------	--------------	--------------	----------------	-----------------

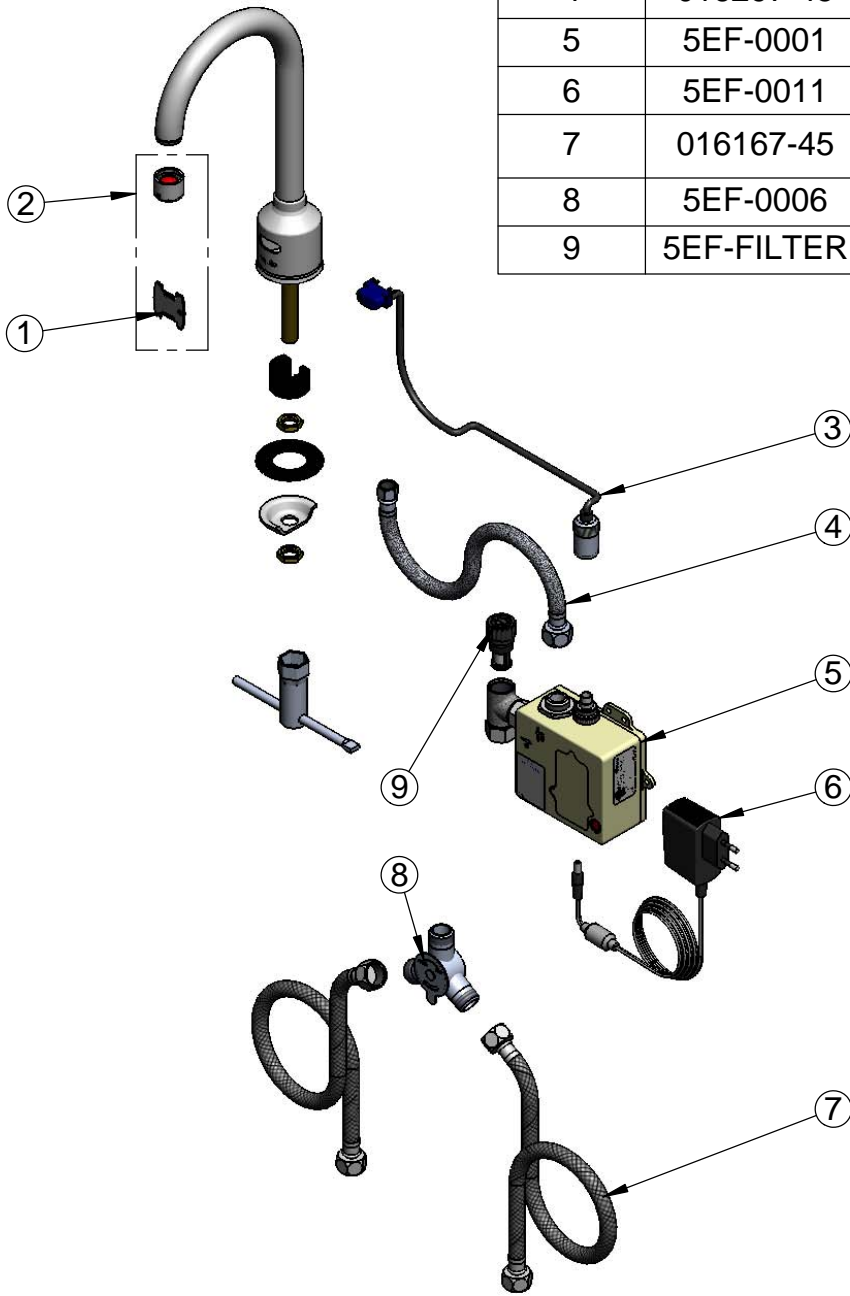
Product Specifications:

Electronic Faucet: Deck Mount, Rigid Gooseneck w/ VR 2.2 GPM Aerator, Temperature Control Mixing Valve w/ Integral Check Valves, (2) 16" Long Flexible Supply Hoses & AC-DC Control Module



equip Foodservice Accessories
2 Saddleback Cove, P.O. Box 1088
Travelers Rest, South Carolina 29690
Phone: 800.891.4808 Fax: 800.868.0084

ITEM NO.	SALES NO.	DESCRIPTION
1	015425-45	Vandal Resistant Key
2	B-0199-06	VR Aerator w/ Key
3	5EF-0004	24" Sensor Cable
4	016297-45	Inlet Hose, Faucet, 1/2" NPSM-F x 1/4" NPSM-F
5	5EF-0001	equip Sensor Faucet - Control Module
6	5EF-0011	EU Transformer
7	016167-45	Supply Hose, 1/2 NPSM Female x 1/2 NPSM Female
8	5EF-0006	Mechanical Mixing Valve
9	5EF-FILTER	Replacement Filter



Model Number 5EF-EU1DG-C	Date 02/29/12	Scale NTS	Drawn GEF	Checked DMH	Approved JHB
-----------------------------	------------------	--------------	--------------	----------------	-----------------



Product Specifications:

Electronic Faucet: Deck Mount, Rigid Gooseneck w/ VR 2.2 GPM Aerator, Temperature Control Mixing Valve w/ Integral Check Valves, (2) 16" Long Flexible Supply Hoses & AC-DC Control Module

equip Foodservice Accessories
 2 Saddleback Cove, P.O. Box 1088
 Travelers Rest, South Carolina 29690
 Phone: 800.891.4808 Fax: 800.868.0084